

Suffolk Provincial Festival Torch Guidance and Ceremonial Procedure



3rd April 2024

Festival Torch – Ceremonial Guidance for Lodges

Foreword

It is for each Lodge to choose how to transport the Torch to the next one, but each journey is an opportunity to visit, build new bonds of friendship and raise additional funds for the Festival. One of the more popular ways to raise funds for charity is for Lodges to hold a raffle. If the proceeds of a raffle were to be donated to the Festival on the night of the Torch visit this would perhaps be additional funds that could be raised towards the Festival that may not otherwise have been donated. Bear in mind that any donation will of course count towards that Lodges Festival effort. The larger the number of visiting Brethren the bigger the opportunity to raise funds and meet new Brethren. As a conservative estimate if the average amount raised was £200 per visit then the Festival Torch could raise £13,800, or maybe even more...

It is encouraged to take photographs, and to do a short write up of the torch journey to be put on the festival website in order that it's journey can be followed around the Province.

Preparation

The lodge presenting the torch should initiate an introduction to the receiving lodge approximately two weeks prior to the scheduled meeting. Both lodges to advise all members of the occasion and encourage support for the meeting and distribute the summons.

Presenting Lodge to chose a maximum of 7 Brethren to participate in the presentation of the torch (the presentation requires a minimum of 3 Brethren and an odd number, so 3,5 or 7 in total).

The Meeting.

Prior to opening:

The Torch stand should be placed in the lodge, adjacent to the Torch Bearers seat.

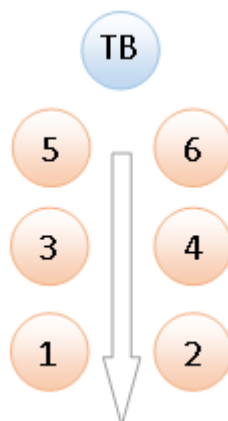
Lodge DC to reserve seats for the Torch escort in the lodge – ideally on the front row with equal numbers of seats on either side of the lodge for the escort and a higher profile seat for the Bearer.

The Torch Bearer and Torch Escort remain outside the meeting until time for the presentation.

The Lodge is opened in the usual manner.

The Torch presentation ceremony should be after matter arising from the minutes and after any official visit escort has entered the Lodge and in the first degree.

The torch escort are formed outside the lodge door with the torch bearer at the back as below:



Tyler knocks on the door

Suffolk Provincial Festival Torch Guidance and Ceremonial Procedure



Inner Guard reports in the usual manner observed by the Lodge

IG – “Whom have you there?”

Tyler – “The Worshipful Master (or the representative of the WM) and a delegation of Brethren from *Lodge Name*, here to present and continue the journey of the Festival Torch.”

IG – “Wait whilst I report to the WM.”

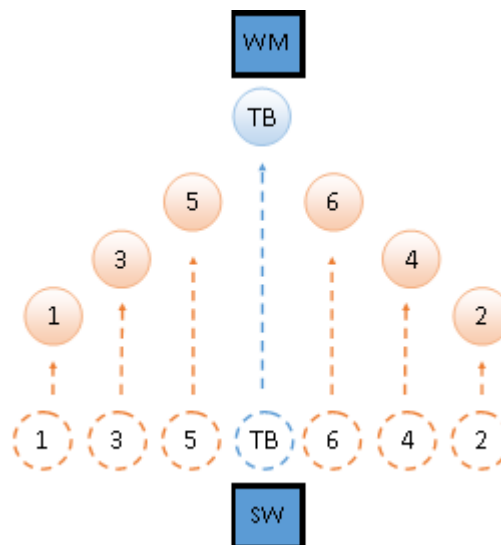
IG – “WM - The Worshipful Master (*or the representative of the WM*) and a delegation of Brethren from *Lodge Name*, here to present and continue the journey of the Festival Torch.”

WM – “Please admit them.”

The IG opens the door and the escort party enter the lodge and form up in front of the SW as below and all then salute the WM.:



The TB then steps forward toward the pedestal, the escort follow in pairs behind, stepping off two paces behind the TB and subsequently the pair in front to form an arrowhead at the pedestal, ideally in line with their seats.



TB – “WM, I present to you the Festival Torch as a symbol of fraternity from the Brethren of *Lodge Name* and entrust you to continue its journey as you have received it.”

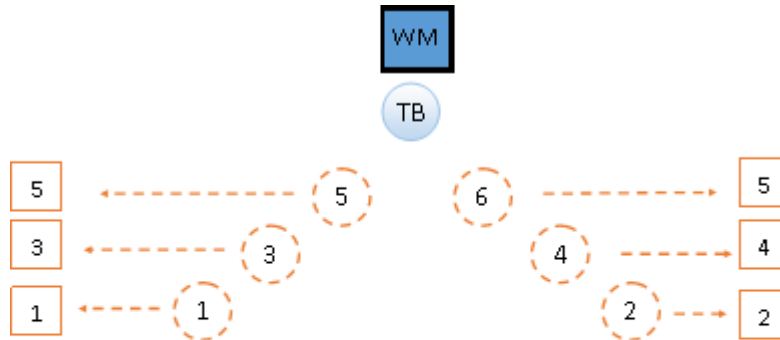
Suffolk Provincial Festival Torch Guidance and Ceremonial Procedure



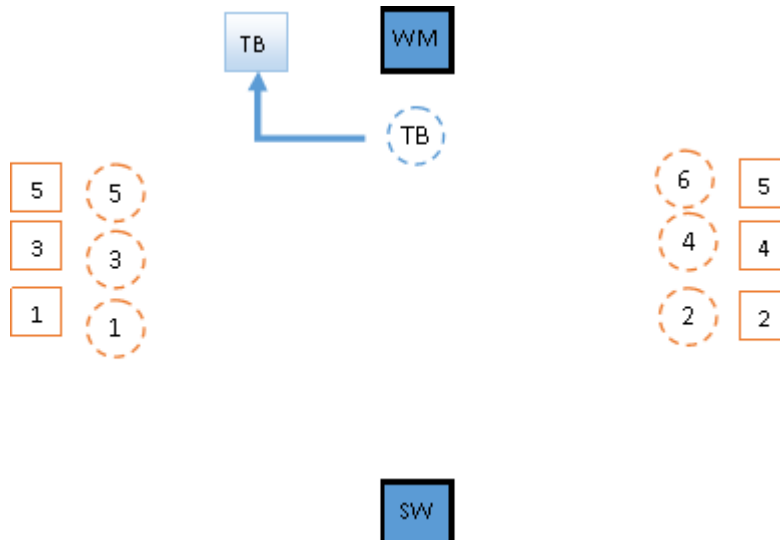
WM – *stands and receives the torch*, “Brethren of *Lodge Name* on behalf of *His Lodge*, I thank you for your fraternity and dignity in delivering the torch to our special keeping. Please take your seats and enjoy our meeting with us.”

WM hands the torch back to the TB

TB then turns to the escort and starting from the rear pair, nods to them and they take up position in front of their seats.



TB then goes to his seat and places the Torch in its holder then nods to the escort and they all take their seats.



Lodge business resumes in the normal manner.

After closing the WM should take the Torch out with him during the retiring procession and it should be prominently displayed at the Festive Board.